

说明:

- 1.主体: PA9T(UL94V-0)/LCP 颜色: 黑
- 2.端子: 铜合金 T=0.20mm

电气性能:

- 1.额定电压: 30V(Max) AC/DC;
- 2.绝缘耐压: AC 1KV 1分钟, 相邻端子间无损坏
- 3.绝缘阻抗: 1000MΩ, 500V DC 1分钟相邻端子间
- 4.使用温度: -25℃~+80℃

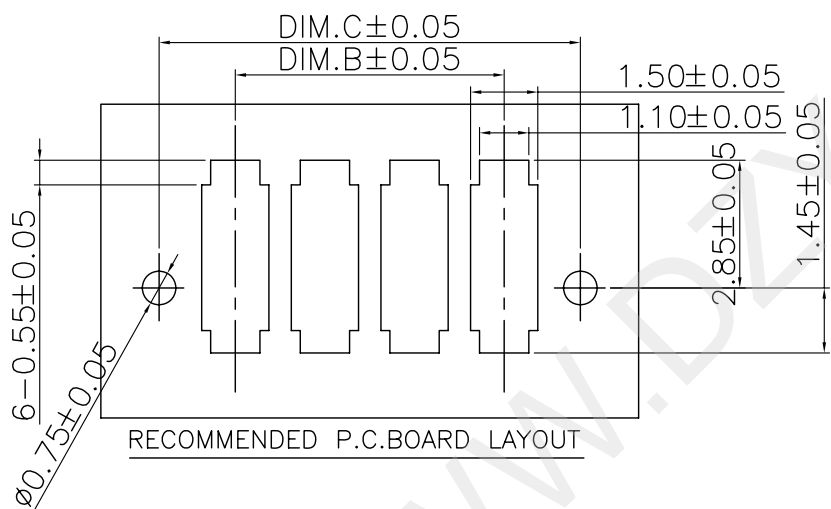


Table:

P / N	Dim. A	Dim. B	Dim. C
03pin	8.00	4.00	7.35
04pin	10.00	6.00	9.35
05pin	12.00	8.00	11.35
06pin	14.00	10.00	13.35
07pin	16.00	12.00	15.35
08pin	18.00	14.00	17.35



深圳市华宇创精密电子有限公司

TOLERANCE: X.X ±0.30 X.XX ±0.25 X.XXX ±0.15 X' ±2' X.X' ±0.5'	DRAWN BY : 陈一鸣	DATE : 2014-02-23	PART NAME: 2.0PH 刀式电池座 母座
	CHECKED BY: 马跃	DATE : 2014-02-23	PART NO. HYC-BMXX2025D
 UNIT: mm [inch] SCALE:1:1 SIZE: A4	APPROVED BY: 邱国夷	DATE : 2014-02-23	DRAW NO: HYC-1804032019
			SHEET NO. 1 OF 1